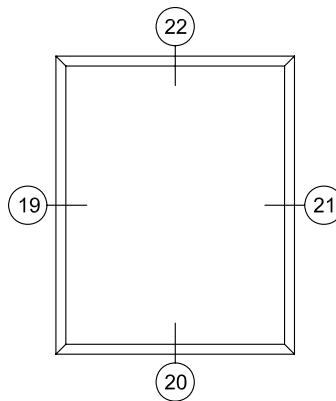
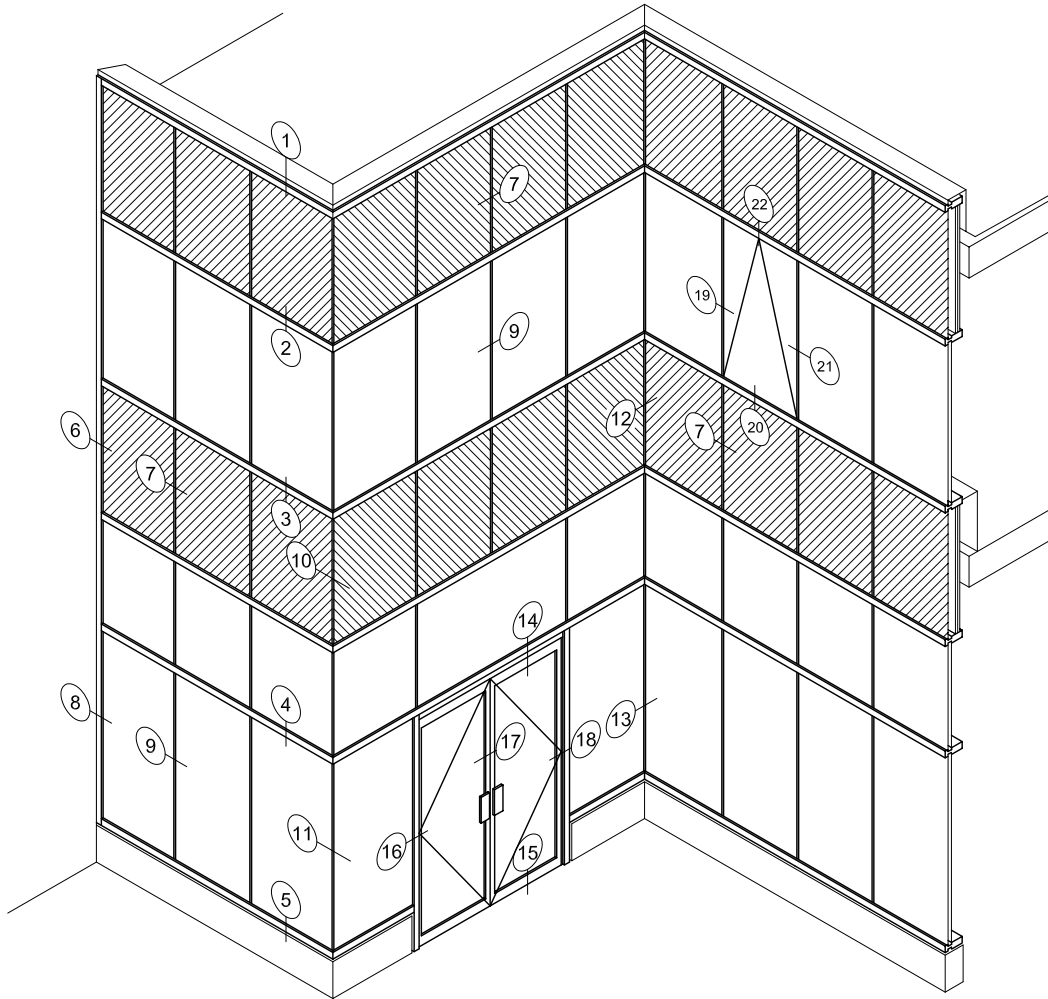


2500 SERIES CURTAIN WALL

TYPICAL DETAILS OF SSG SYSTEM



5000 SERIES
PHANTOM VENT